

PM-Plus (pH, mV, Cl, CD) metering dosing pumps with measure instrument built-in

Metering dosing pumps PM – Plus series
With measure instrument built-in



- Backlighted graphic display
- Very easy to use: programming way like "mobile phone"
- Proportional dosing to the set-point value
- Constant flow rate mode
- Level probe input
- Plastic box IP65 protection degree
- 4-20 mA output signal
- Version pH/Redox(mV) selectable from the user
- Start/Stop key
- Measure ranges:
pH: 0 - 14,00 pH; BNC input from pH probe
Redox(mV): 0 - 1999 mV; BNC input from Redox(mV) probe
Free Chlorine: 0- 10,00 ppm; Input probe SCLO series
Conductivity: 0 – 10.00 mS via probe SCD K1; other ranges available
1000 μ S, 100 μ S, 10 μ S, via probe SCD K5

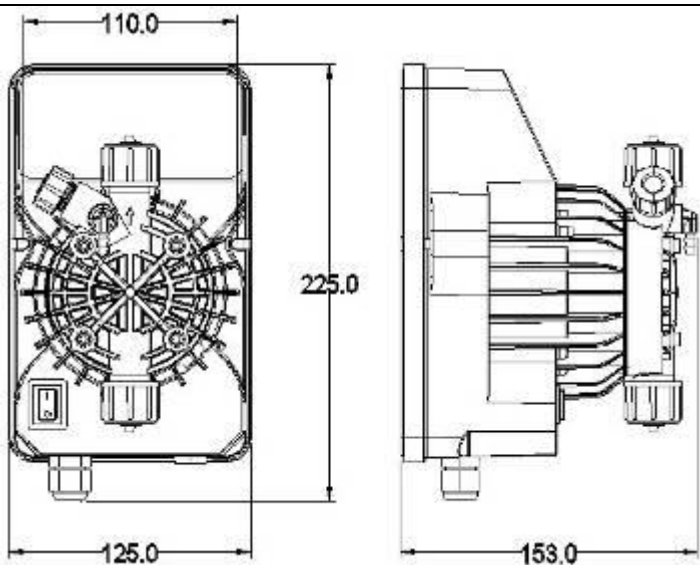


PM-Plus (pH, mV, Cl, CD)

metering dosing pumps with measure instrument built-in

Model	Flow rate max (l/h)	Pressure max (bar)	Frequency max (imp/min)	ml/pulse	Max suction high (m)	Standard power supply (*)	Weight (kg)
PMplus 01-15	1	15	120	0,14	2.0	12VDC – 50/60Hz	2,3
PMplus 02-10	2	10	120	0,33	2.0	12VDC – 50/60Hz	2,3
PMplus 05-07	5	7	120	0,83	2.0	12VDC – 50/60Hz	2,3
PMplus 10-10	10	10	120	1,38	2.0	12VDC – 50/60Hz	2,3
PMplus 20-03	20	3	120	2,60	2.0	12VDC – 50/60Hz	2,3
PMplus 50-01	50	1	120	6,90	2.0	12VDC – 50/60Hz	2,3

(*) Other power supply contact the headquarters

Dimensions	Materials
	<p>Pump head: polypropylene (on request: PVC, SS316, PTFE, PVDF)</p> <p>Diaphragm: PTFE</p> <p>Connections: polypropylene</p> <p>Foot filter: polypropylene</p> <p>Injection valve: polypropylene</p> <p>Suction tube: PVC crystal</p> <p>Delivery tube: polyethylene</p> <p>Standard valves: ceramic</p> <p>On request valves: Lip in FPM (on request: EPDM)</p> <p>Seats: FPM (on request: EPDM)</p>

