



TEFEN Advanced Plastic Solutions.



MixRite[®] TF5

User's Manual



English
p.1-17

Espaniol
p.18-28

10083

www.tefenplastic.com E-mail: info@tefenplastic.com

Edition 01.12



TEFEN Advanced Plastic Solutions.

Tefen MixRite TF 5 Fertilizer and Chemicals Injector

Congratulations on your purchase of one of Tefen's high quality products.

To get the best results from the MixRite TF-5 Proportioning Dosing Injector it is important to spend a few minutes reading carefully the explanations and recommendations in this user's manual.

Operating principle

The proportioning dosing injector is fitted on the water line. The flow of water passing through the injector activates it and causes the pumping of liquid fertilizer (or other additive) and inject it in a relative quantity into the water line.

The MixRite TF 5 technical working range:

The flow rate of water passing through the injector is between 0.2 and 5 m³/Hr. (0.88-22 GPM).

The water pressure is between 1 and 8 bar (14.7 and 120 PSI).

The water and air temperatures are not less than 4°C and not more than 40°C (39°F - 104°F).

Head loss: Low flow 0.1 Bar – High flow 0.8 Bar.

Max deviation injection rate +/- 10%.

Before using, an initial calibration should be done, in order to assure accurate match with the injector printed scale.

The flow rate of the fertilizer and chemicals can be adjusted relative to the flow rate of the water in the range of:

0.1% to 1%

0.2% to 2%

0.5% to 5%

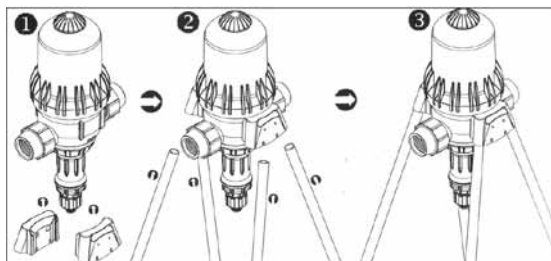
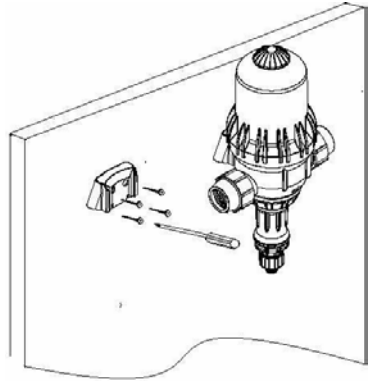
Installing the Injector

Check that Injector package contains the following items:

- * One proportioning dosing injector to which are attached
Two compression fittings (Plasson) for a 32 mm PE pipe.
- * One flexible suction tube to which is attached a flat seal
And a filter.
- * 2 stand brackets.
- * One User's manual.
- * 4 legs (optional).

To fit to wall – connect one of the brackets to the wall by inserting 4 screws in the Bracket.

To install the stand – insert the brackets into the body grooves at the bottom and press up until they fit in place. Place the legs in the holes and press until they well locked.

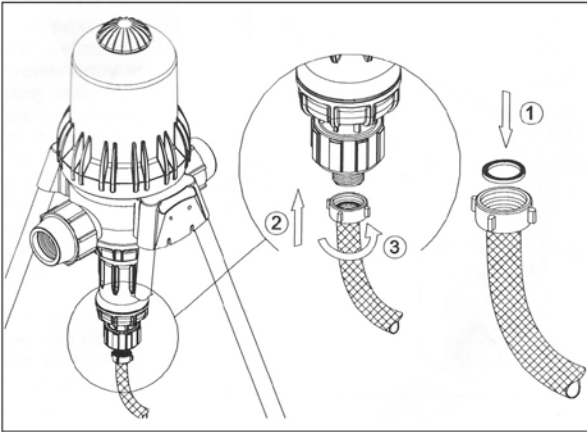




TEFEN Advanced Plastic Solutions.

Connection of the suction tube

Insert the flat seal into the nut of the coupling on the end of the tube (1). Thread and tighten the nut to the inlet valve on the bottom of the injector. Make sure that the nut is threaded and tighten properly (2,3).



Connection of the Injector to a 1" threaded line

Note the direction of the water flow. Place the injector so that the arrow stamped on the body of the injector and the red arrow on central sticker point in the direction of the water flow. Connect the injector using the plastic couplings.

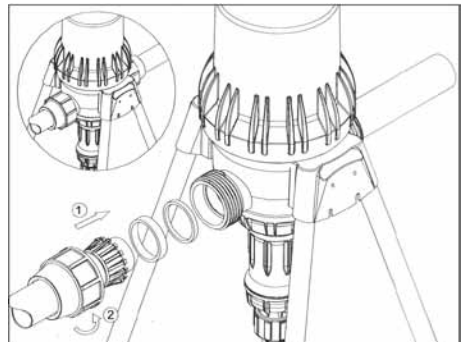
Connection of the Injector to a 32 mm. polyethylene line

Note the direction of the water flow. Place the injector so that the arrow stamped on the body of the injector and the red arrow point in the direction of the water flow. Make sure that the ends of the entry pipe and the exit pipe are cut straight and that the end is in the shape of a rounded cone. The distance between the entry end and the exit ends should be about 20 cm (7.87").

Remove the 32 mm nut from the injector and the white ring and slide them onto the pipe at a short distance from the end. Check that accessory seal 32 and that the sealing 32 fixture closes the unit from outside (1). Insert the pipe into the entry opening or exit opening in accordance with the direction indicated and push it so that the pipe penetrates passes the seal and stops at the end of the track.

To facilitate the penetration of the pipe spread a little silicone grease on the end of the tube before inserting it. Push the white ring in until it reaches the thread (2). Close the nut and tighten securely.

In the same way connect the injector to the other pipe.





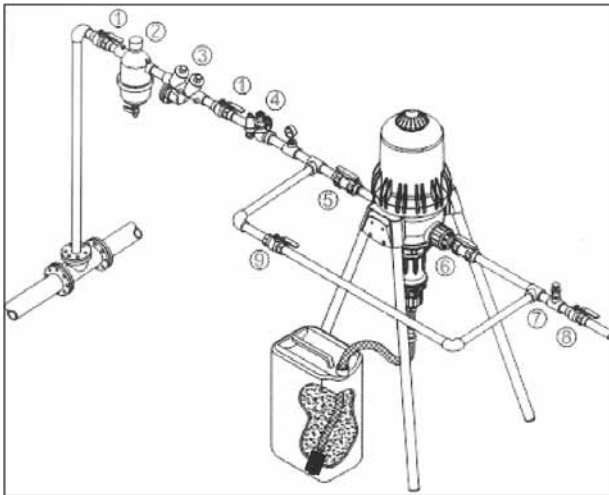
TEFEN Advanced Plastic Solutions.

Water with high particle content

(ex.: 120 mesh - 130 microns depending on your water quality) water filter must be installed prior to the injector (see accessories), if a filter is not installed abrasive substances will cause the injector to deteriorate prematurely.

Installing the injector on an irrigation line

It is recommended to fit a **main valve** (1) at the beginning of the line as well as a **backflow prevention valve** (3). On a drinking water line, according to local regulations, it is obligatory to install a backflow prevention valve to prevent entry of chemicals into the drinking water. Then as shown in the diagram the following have to be installed: A **pressure reducer** (4) to protect the injector from excess pressure, a **filter** (2) of at least 120 mesh (130 micron), a valve (6) before entry to the injector, vacuum valve (7) to prevent siphoning when the injector is not operating, and valves to the feed lines have then to be installed. It is advisable to add a bypass pipe through which the water can flow to irrigation without fertilizer or when it is required to dismantle the injector.



Installation of the injector on a bypass line

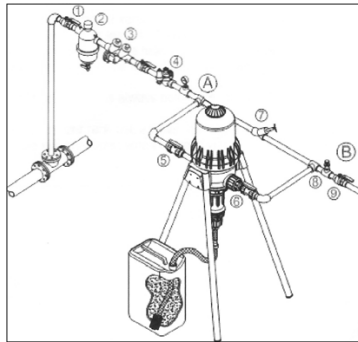
It is necessary to fit the proportional dosing injector to a bypass line when irrigation with a flow rate higher than the maximum recommended for the injector. The bypass enables only part of the water flow to pass through the bypass and activate the injector, while the remainder passes through the main line. Using the choke valve (7) on the main line, the flow of water passing through the main line is regulated so that the rest of the flow passes through the bypass and activates the injector.

The metering must be calculated in accordance with the flow rate passing through both lines.



TEFEN Advanced Plastic Solutions.

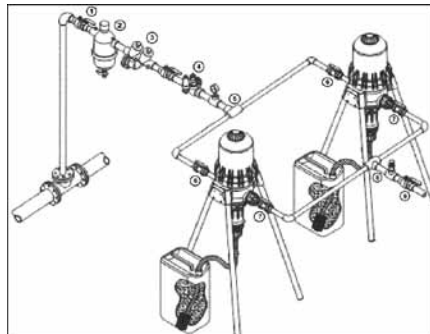
It is necessary to fit a main valve (1) at the beginning of the line and after it a **backflow prevention valve** (3), **pressure reducer** (4), a water filter (2) of at least 120 mesh (130 micron), a T connection (A) for diversion from the main line to the bypass, a valve on the bypass before the inlet to the proportioning dosing injector, a valve after the outlet from the injector (9) on the bypass and a T-connector for the return to the main line (B). A choke valve, preferably an angled valve, should be fitted on the main line between the bypass. An **anti vacuum valve** (8) should be fitted together with valves for the branch lines after the return connection from the bypass.



Installation of two injectors in parallel

When the water flow rate in the irrigation line is higher than the maximum nominal flow rate of the injector, the water may be divided between two injectors. If the 2 injectors are used for pumping the same type of fertilizer, the scale should be adjusted in an identical manner to the same level of metering. Two different additives may be metered at different levels. The metering in each unit must be calculated separately for each flow rate passing through each of the two injectors.

It is necessary to fit a main valve (1) at the beginning of the water line and after it, a backflow prevention valve (3), a pressure reducer (4), a filter (2) with at least 120 mesh (130 micron). a T-junction (5) is then fitted from the main line into 2 lines. To each of these lines are fitted a regulation valve (6), the injector and non-return valve (7) immediately after the injector and a connection back to the main line (8). Care must be taken to ensure that both branches are exactly the same length.





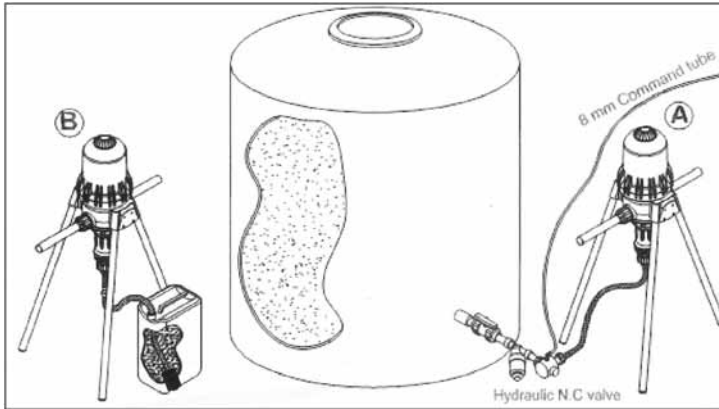
TEFEN Advanced Plastic Solutions.

Connection to the Fertilizer Tank

Connect the suction tube to the fertilizer tank (preferably about 5cm (2") above the bottom). The liquid fertilizer must be passed through a filter with at least a 120 mesh (130 micron).

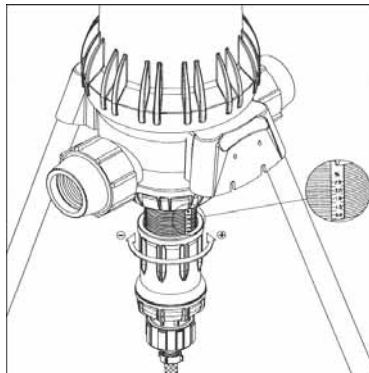
If the fertilizer is drawn from an open tank, a heavy weight should be placed at the end of the suction tube that will keep the opening of the suction tube inside the additive liquid and prevent the tube from floating and failing outside the tank. Make sure that the level of the fertilizer is always below the injector. Otherwise uncontrolled flow of the fertilizer may occur.

When connecting to a large fertilizer tank use a valve that is not affected by the fertilizer and an N.C. valve to prevent the siphon effect. The valve will only open when there is water pressure irrigation line.



Adjustment of Metering

On the metering cylinder there is a scale indicating the percentage of additives. When the entry valve is closed and there is no water pressure in the injector, turn the adjustment control nut and set its upper edge on the percentage required. Turning it counterclockwise increases the amount of fertilizer metered. Turning it clockwise decreases the amount of fertilizer metered. The actual fertilizer metering rate should be checked. If necessary, adjust by increasing or decreasing the adjustment control nut.

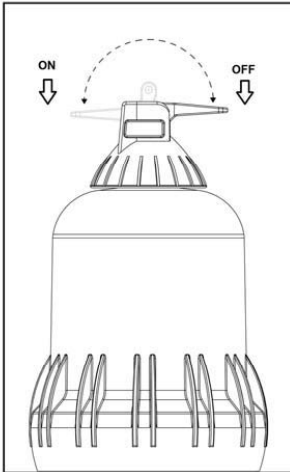




TEFEN Advanced Plastic Solutions.

Manual On/Off Control

In models with manual on/off control the suction can be controlled while water flows through the injector. To inject the additive, flick the handle to it's 'on' position ('on' face up), to stop injection of additive flick the handle to it's 'off' position ('off' face up).



Hydraulic On/Off Control

In models with a hydraulic on/off control the suction can be controlled while the water continues to flow through the injector, using a connection to the control tubes that are controlled by irrigation computer by means of electric valves.





TEFEN Advanced Plastic Solutions.

Routine Maintenance

Regularly clean the water filter at the injector inlet and the fertilizer suction filter.

If its planned not to operate the injector for a long period, operate the injector for a few minutes with the metering tube immersed in a tank with clean water to remove fertilizer residues from the injector preventing them solidifying in the injector.

If there is fear of frost and the temperature falling below 4°C (39°F) empty the water from the injector. To do this, close the entry and exit valves securely. Open and dismantle the 3/4" record that connects the suction pipe. Press the suction check valve using a finger or a thin rod, allowing all the water that has collected in the injector to drain out while pressing the air release valve at the top of the injector.

Troubleshooting Guide

Problem	Check	Solution
The injector does not work	The injector is fitted with the arrows in the opposite direction to the water flow.	Fit The injector with the arrows in the direction of the water flow.
	The inlet and outlet valves are closed.	Open the valves
	The inlet filter is blocked.	Clean the filter.
	There is no water flow at the appropriate pressure.	Open the main valve.
The injector has stopped working	There is no water flow at the appropriate pressure. Open the main valve. Open the nut locking the motor cover, remove the motor cover, and remove the mechanism. Check if the motor seals are defective.	Replace the motor seals.
	Check if the springs are broken.	Replace the springs.
	Check if the seals above the valves are defective or have been displaced.	Replace the seals.
	Check if one of the parts of the mechanism is broken.	Replace the broken part.
There is a leak from the injector.	The leak is from the connection between the body and the cover.	Open and remove the motor cover, replace the seal, fit the cover, and thoroughly tighten the cover locking nut.
	The leak is from the connection of the suction tube.	Remove the suction tube, replace the defective seal and reconnect.
	The leak is from the non-return valve.	Dismantle the non-return valve and replace the defective seal.
There is no suction.	The suction filter is blocked.	Clean the filter.
	Dismantle the injector unit and check if the suction seal is defective.	Replace the suction seal.
	The non-return valve is defective.	Replace the non-return valve.



TEFEN Advanced Plastic Solutions.

For advice, technical support and purchase of spare parts, Contact the authorized sales representative in your area.

LIMITED WARRANTY

Tefen Manufacture & Marketing Plastic Products 1990 Ltd. will replace all parts shown to be defective in material or workmanship during a period of twelve months from the date of purchase by the original purchaser.

To obtain warranty replacement of a part, the MixRite must be returned with original proof of purchase receipt to the manufacturer or authorized distributor and thereafter recognized as defective after examination by the technical services of the manufacturer or distributor.

The MixRite must be flushed of any chemical and sent to the manufacturer or distributor prepaid, but will be returned free of charge once repairs are made if found to be covered by the warranty. Any repairs made under warranty will not extend the initial warranty period.

This warranty only covers circumstances where the part has failed due to defects caused by the manufacturing process. This warranty is invalid if the defects are found to be due to the product's misuse, inappropriate use of tools, lack of maintenance or defective installation or environmental accidents or corrosion by foreign bodies and liquids found within or in proximity to the MixRite.

The seals and "O" rings are not covered under warranty, nor is damage to the MixRite caused by water impurities such as sand. A filter (200 Mesh) must be used in front of the unit for the warranty to be valid.

Tefen Manufacture & Marketing Plastic Products 1990 Ltd. declines any responsibility if the MixRite is not used in compliance with the operating instructions and tolerances as indicated herein.

This warranty gives you specific legal rights and you may also have other rights which vary from state to state. But any implied warranty or merchantability or fitness for a particular purpose applicable to this product is limited in duration to the time period of this written warranty or any implied warranty.

There is no warranty express or implied relating in any way to products used in conjunction with Tefen Manufacture & Marketing Plastic Products 1990 Ltd.

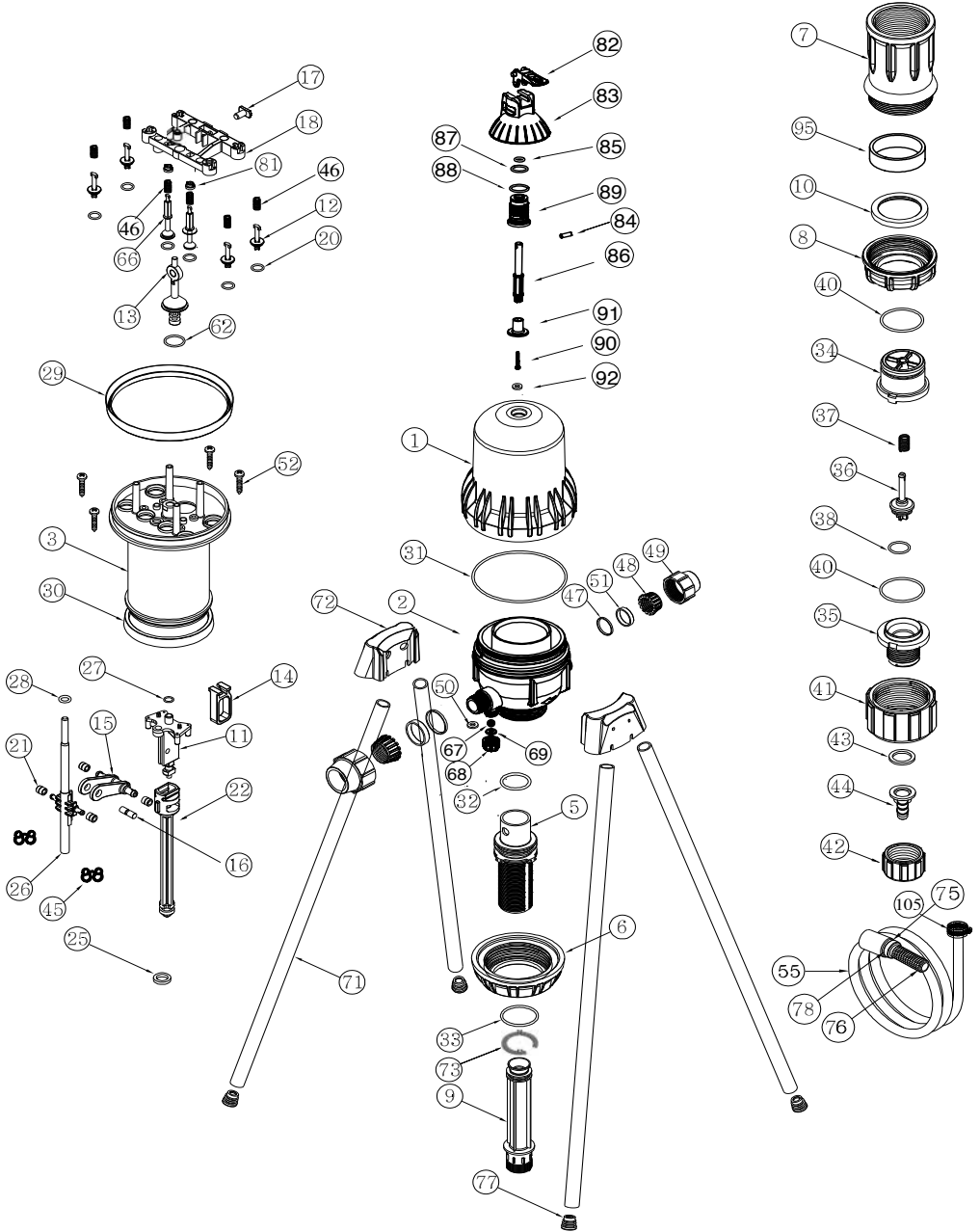
The manufacturer or authorized distributor shall not be liable for incidental or consequential damage, such as any economic loss, resulting from breach of this written warranty or any implied warranty.

There are no warranties, express or implied, which will extend beyond those described above.



TEFEN Advanced Plastic Solutions.

TF 5 - Manual On/Off





TEFEN Advanced Plastic Solutions.

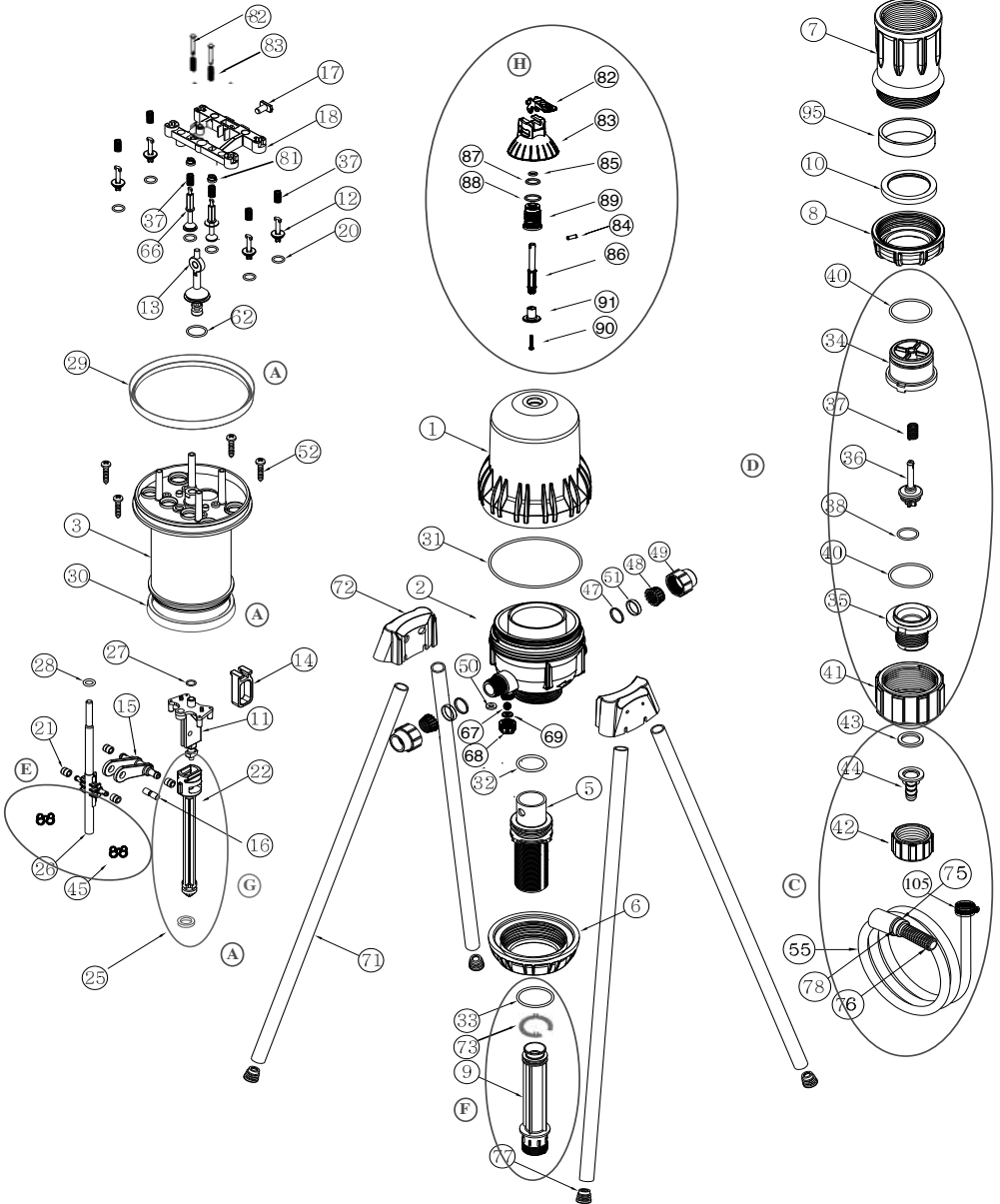
		32 mm	1" BSPT	1" NPT
	MixRite TF5 , 0.1-1% , On Off,	28050110000	28040110000	28030110000
PARTS	MixRite TF5 , 0.2-2% , On Off,	28050210000	28040210000	28030210000
	MixRite TF5 , 0.5-5% , On Off,	28050510000	28040510000	28030510000

No.	COMPONENT NAME	COMPONENT CODE	No.	COMPONENT NAME	COMPONENT CODE
1	TF 5 COVER	35201011301	42	NUT 3/4"HOLE 20	36030120033
2	BODY 1" BSP	35202041302	43	WASHER FOR SWIVEL 3/4"	37245581200
2	BODY 1" NPT	35202031302	44	RECORD BODY 19X3/4" - 5% model	32454759122
2	BODY 11/4" NPT	35202061302	44	RECORD BODY 12x3/4" - 1%,2% MODEL	32454752122
2	BODY 32	35202051302	45	PLASTIC SPRING TF 5	35126018249
3	PISTON TF5	35203013103	46	SPRING FOR INNER VALVE TF 10/5	38000001151
5	CYLINDER SUPPORT TF5	35204011305	47	SEAL 32 mm (MODEL COMPR. 32 MM)	38002003247
6	CYLINDER SUPPORT NUT TF5	35205011806	48	WHITE LOCK RING 32 MM	38003003248
7	ADJUSTMENT NUT TF5	35207011807	49	NUT 32 mm BLACK	38004603249
8	LATCH NUT TF5	35208011808	50	FLAT SEAL	36000022248
9	CYLINDER 1% MIXRITE TF 5	35209016109	51	SEAL HOLDER 32 MM	35217013151
9	CYLINDER 2% MIXRITE TF 5	35210016109	52	EJOTE SCREW WN-1412	38000001152
9	CYLINDER 5% MIXRITE TF 5	35211016109	53		
10	CYLINDER SUPPORT SPACER TF5	35217013110	54		
11	INSIDE BASE TF5	35212010111	55	SUCTION TUBE 19mm - 5% MODEL	36030001955
12	LARGE EXIT VALVE 3 TF5	35219013112	55	SUCTION TUBE 16 mm - 1%,2% model	36030001655
13	CENTRAL VALVE 3 TF5	35227011113			
14	TOGGLE FRAME TF5	35227011214			
15	TOGGLE TF5	35216013115			
16	TOGGLE PIN TF5	35213013116	62	O RING 2-113	38060211362
17	BRIDGE PIN TF5	35213013117	63		
18	BRIDGE TF5	35206011118	64		
19			65		
20	O RING 2-110	38060211045	66	INNER VALVE TF5	35220013166
21	TOGGLE BEARING	35121011121	67	BALL	38000000067
22	PISTON BAR 1% TF5	35222011222	68	1/2" BSPT NUT	35226013324
22	PISTON BAR 2% TF5	35222021222	69	1/2" SEAL PLATE	35217013123
22	PISTON BAR 5% TF5	35225051222	71	EASEL LEG TF 10	38000004171
23			72	TF10 BRACKET	35125011872
24			73	GUIDE RING CYLINDER SUPPORT TF5	35228011168
25	SUCTION SEAL 1% MIXRITE TF 5	35202014225	75	HOSE COVER 19 MM - 5% MODEL	36030111935
25	SUCTION SEAL 2% MIXRITE TF 5	35202024225	75	HOSE COVER 12 MM - 1%,2% MODEL	36030111235
25	SUCTION SEAL 5% MIXRITE TF 5	35202054225	76	SUCTION FILTER 30	36030013036
26	OPERATION ROD	35214013126	77	EASEL LEG PLUG D. 22	38001003277
27	"O" Ring 12X2	37005852002	78	FILTER WEIGHT - 5% MODEL	38002000107
28	"O" RING 2-011 VITON	38020111228	78	FILTER WEIGHT - 1%,2% MODEL	38060801038
29	UPPER PISTON SEAL	35223012229	81	V7 INNER VALVE LOCKER	35028001181
30	LOWER PISTON SEAL	35224012230	82	ON/OFF HANDLE FOR TF	35305011285
31	O RING 2-356	38023562231	83	COVER FOR ONOFF TF	35303011258
32	O RING 7*50	38050072232	84	PIN	35308011286
33	O RING 2-321 FOR 1% MODEL	38023212233	85	O RING 9*3	38000932246
33	O RING 28*7 FOR 2% MODEL	38028072233	86	BAR FOR TF5 HANDLE ON/OFF	35308011288
33	O RING 2-219 FOR 5% MODEL	38022192233	87	O RING 2-116	38021169292
34	CHECK VALVE SLEEVE	36030675102	88	O RING 20*3	38002032264
35	CHECK VALVE LID	36030101101	89	ADAPTOR 3/4" ONOFF TF	35301011287
36	PISTON CHECK VALVE	36030162284	90	EJOTE SCREW WN-1412 4*25	38000042565
37	SPRING FOR CHECK VALVE HSTY	38028110529	91	ON/OFF DISC FOR TF5	35302051290
38	O RING 2-206 PO	38022060284	92	STAINLESS STEEL DISC	38060351641
39			95	SPACER FOR CYLINDER 2%	35200023195
40	O RING 30*3 PO	38003033246			
41	CHECK VALVE NUT	36030622100	105	SST CLIP SCREW - 5% MODEL	38013322102



TEFEN Advanced Plastic Solutions.

TF 5 - Manual On/Off





TEFEN Advanced Plastic Solutions.

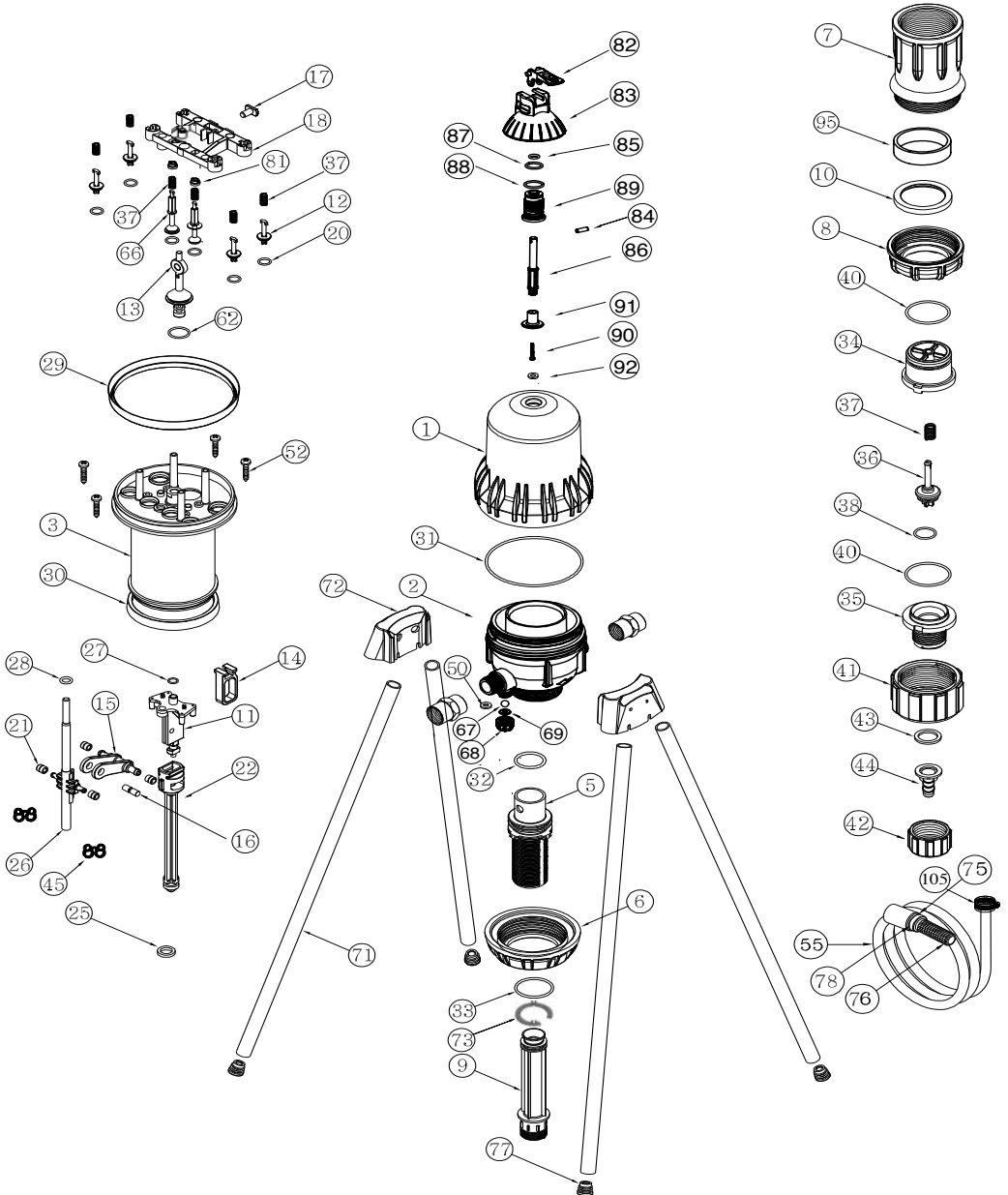
TF5 KITS

NO.	PART	CAT.NO
A	SEAL KIT 1%	35200000001
	SEAL KIT 2%	35200000002
	SEAL KIT 5%	35200000005
D	SUCTION CHECK VALVE KIT	35200000004
E	MECHANISM SPRING	35100000045
F	SUCTION CYLINDER KIT 1%	35200000009
	SUCTION CYLINDER KIT 2%	35200000011
	SUCTION CYLINDER KIT 5%	35200000012
G	SUCTION PISTON KIT 1%	35200000019
	SUCTION PISTON KIT 2%	35200000020
	SUCTION PISTON KIT 5%	35200000021
C	SUCTION TUBE KIT 1%&2%	36000000021
	SUCTION TUBE KIT 5%	36000000028
	WATER ENGINE COMPLETE	35200000006
H	MANUAL ON <input type="checkbox"/> OFF KIT	35200000048



TEFEN Advanced Plastic Solutions.

TF 5 - CL Manual On/Off





TEFEN Advanced Plastic Solutions.

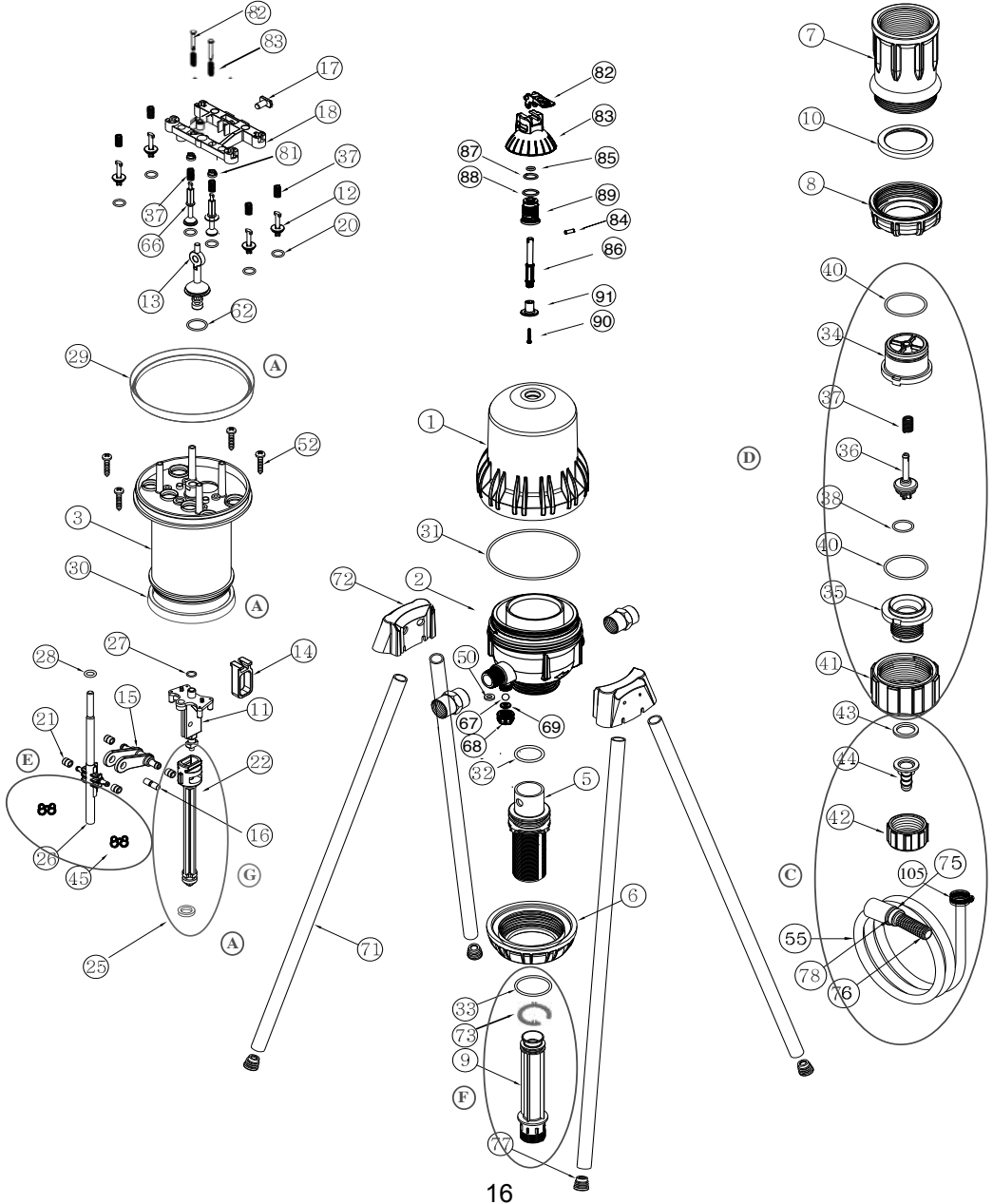
PARTS MIXRITE TF 5 -1% CL
MIXRITE TF 5 -2% CL
MIXRITE TF 5 -5% CL

No.	COMPONENT NAME	COMPONENT CODE	No.	COMPONENT NAME	COMPONENT CODE
1	TF 5 COVER	35201011301	42	NUT 3/4"HOLE 20	36030120033
2	BODY 1" BSP	35202041302	43	WASHER FOR SWIVEL 3/4"	37245581200
2	BODY 1" NPT	35202031302	44	RECORD BODY 19X3/4" - 5% model	32454759122
2	BODY 11/4" NPT	35202061302	44	RECORD BODY 12x3/4" - 1%,2% MODEL	32454752122
2	BODY 32	35202051302	45	PLASTIC SPRING TF 10 /TF5	35126018249
3	PISTON TF5	35203013103	46		
5	CYLINDER SUPPORT TF5	35204011305	50	FLAT SEAL IL	36000021248
6	CYLINDER SUPPORT NUT TF5	35205011806	51		
7	ADJUSTMENT NUT TF5	35207011807	52	EJOTE SCREW WN-1412	38000001152
8	LATCH NUT TF5	35208011808	53		
9	CYLINDER 1% MIXRITE TF 5	35209016109	54		
9	CYLINDER 2% MIXRITE TF 5	35210016109	55	SUCTION TUBE 19mm - 5% MODEL	36030001955
9	CYLINDER 5% MIXRITE TF 5	35211016109	55	SUCTION TUBE 16 mm - 1%,2% model	36030001655
10	CYLINDER SUPPORT SPACER TF5	35217013110	56		
11	INSIDE BASE TF5	35212010111	57		
12	LARGE EXIT VALVE 3 TF5	35219013112	58		
13	CENTRAL VALVE 3 TF5	35227011113	59		
14	TOGGLE FRAME TF5	35227011214	60		
15	TOGGLE TF5	35216013115	61		
16	TOGGLE PIN TF5	35213013116	62	O RING 2-113 VITON	38021131262
17	BRIDGE PIN TF5	35213013117	63		
18	BRIDGE TF5	35206011118	64		
19			65		
20	O RING 2-110 VITON	38021101145	66	INNER VALVE TF5	35220013166
21	TOGGLE BEARING	35121011121	67	BALL	38000000067
22	PISTON BAR 1% TF5	35222011222	68	1/2" BSPT NUT	35226013324
22	PISTON BAR 2% TF5	35222021222	69	1/2" SEAL PLATE	35217013123
22	PISTON BAR 5% TF5	35225051222	71	EASEL LEG TF 10	38000004171
23			72	TF10 BRACKET	35125011872
24			73	GUIDE RING CYLINDER SUPPORT TF5	35228011168
25	SUCTION SEAL 1% MIXRITE TF 5	35202014225	75	HOSE COVER 19 MM - 5% MODEL	36030111935
25	SUCTION SEAL 2% MIXRITE TF 5	35202024225	75	HOSE COVER 12 MM - 1%,2% MODEL	36030111235
25	SUCTION SEAL 5% MIXRITE TF 5	35202054225	76	SUCTION FILTER 30	36030013036
26	OPERATION ROD	35214013126	77	EASEL LEG PLUG D. 22	38001003277
27	"O" Ring 12X2 VITON	38001221127	78	FILTER WEIGHT - 5% MODEL	38002000107
28	"O" RING 2-011 VITON	38020111228	78	FILTER WEIGHT - 1%,2% MODEL	38060801038
29	UPPER PISTON SEAL	35223012229	81	V7 INNER VALVE LOCKER	35028001181
30	LOWER PISTON SEAL	35224012230	82	ON/OFF HANDLE FOR TF	35305011285
31	O RING 2-356 VITON	38023561231	83	COVER FOR ON/OFF TF	35303011258
32	O RING 7*50 VITON	38050071232	84	PIN	35308011286
33	O RING 2-321 VITON FOR 1% MODEL	38023211233	85	O RING 9*3 VITON	38000931246
33	O RING 28*7 VITON FOR 2% MODEL	38028071233	86	BAR FOR TF5 HANDLE ON/OFF	35308011288
33	O RING 2-219 VITON FOR 5% MODEL	38022191233	87	O RING 2-116 VITON	38021161292
34	CHECK VALVE SLEEVE	36030675102	88	O RING 20*3 VITON	38002031264
35	CHECK VALVE LID	36030101101	89	ADAPTOR 3/4" ON/OFF TF	35301011287
36	PISTON CHECK VALVE	36030162284	90	EJOTE SCREW WN-1412 4*25	38000042565
37	SPRING FOR CHECK VALVE HSTY	38028110529	91	ON/OFF DISC FOR TF5	35302051290
38	O RING 2-206 VITON	38060102206	92	STAINLESS STEEL DISC	38060351641
39			95	SPACER FOR CYLINDER 2%	35200023195
40	O RING 30*3 VITON	38003031246			
41	CHECK VALVE NUT	36030622100	105	SST CLIP SCREW - 5% MODEL	38013322102



TEFEN Advanced Plastic Solutions.

TF 5 - CL Manual On/Off





TEFEN Advanced Plastic Solutions.

TF5 CL KITS

NO.	PART	CAT.NO
A	SEAL KIT 1%	35200000001
	SEAL KIT 2%	35200000002
	SEAL KIT 5%	35200000005
D	SUCTION CHECK VALVE KIT	36000000152
E	MECHANISM SPRING	35100000045
F	SUCTION CYLINDER KIT 1%	35200000050
	SUCTION CYLINDER KIT 2%	35200000051
	SUCTION CYLINDER KIT 5%	35200000052
G	SUCTION PISTON KIT 1%	35200000019
	SUCTION PISTON KIT 2%	35200000020
	SUCTION PISTON KIT 5%	35200000021
C	SUCTION TUBE KIT 1%&2%	36000000021
	SUCTION TUBE KIT 5%	36000000028



TEFEN Advanced Plastic Solutions.



MixRite TF 5

Manual del Usuario

www.tefenplastic.com E-mail: info@tefenplastic.com



TEFEN Advanced Plastic Solutions.

Injector de Fertilizante y Productos Químicos Tefen MixRite TF 5

Lo felicitamos por haber adquirido uno de los excelentes productos de Tefen. Es muy importante que dedique algunos minutos a la lectura, en forma cuidadosa, de las explicaciones y recomendaciones que contiene este Manual del Usuario para obtener los mejores resultados del inyector de dosificación proporcional MixRite TF-5.

Principios operativos

El inyector de dosificación proporcional se conecta a la línea de agua. El flujo de agua que pasa a través del inyector lo activa y provoca el bombeo del líquido fertilizante (u otro aditivo) y lo inyecta en una cantidad proporcional en la línea de agua.

El MixRite TF 5 tiene el siguiente rango de trabajo:

El caudal que pasa a través del inyector debe estar entre 0,2 y 5 m³/h (0,88 – 22 GPM).

La presión de agua debe estar entre 1 y 8 bar (14,7 y 120 PSI).

Las temperaturas del agua y del aire no deben ser inferiores a 4°C y tampoco superiores a 40°C (39 °F – 104°F).

Pérdida de carga: caudal bajo 0,1 bar – caudal alto 0,8 bar

Máxima desviación de la tasa de inyección: +/- 10%

Antes de usarlo, se debe realizar una calibración inicial a los efectos de asegurar una coincidencia precisa con la escala impresa en el inyector.

El caudal de fertilizante y de productos químicos puede ser ajustado en forma proporcional al caudal de agua en el siguiente rango:

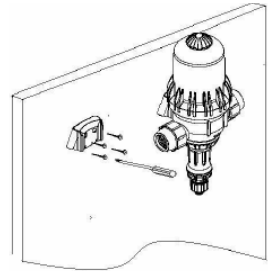
0,1% a 1%

0,2% a 2%

0,5% a 5%

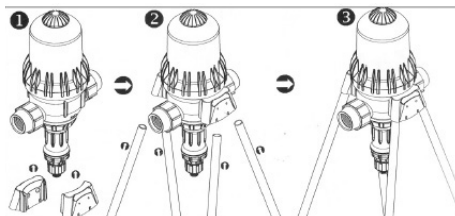
Instalación del inyector

- Verifique que el paquete del inyector contenga los siguientes ítems:
- Un inyector de dosificación proporcional al que están fijados dos conectores de compresión (Plasson) para una tubería de PE de 32 mm.
- Un tubo de succión flexible al que está fijado un sello plano y un filtro.
- 2 soportes de pie.
- Un Manual del Usuario.
- 4 patas (opcional)



Para amurarlo a la pared – fije uno de los soportes a la pared insertando los 4 tornillos en el soporte.

Para instalar el pie - inserte los soportes en las ranuras del cuerpo en la parte inferior y presione hasta que entren en su lugar. Coloque las patas en los agujeros y presione hasta que estén bien trabadas.

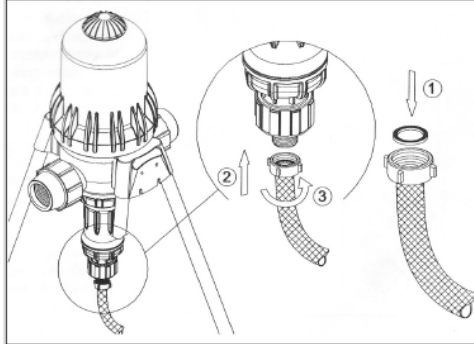




TEFEN Advanced Plastic Solutions.

Conexión del tubo de succión

Inserte el sello plano en la tuerca del acoplamiento en el extremo del tubo (1). Enrosque y ajuste la tuerca a la válvula de entrada ubicada en la parte inferior del inyector. Asegúrese de que la tuerca esté bien enroscada y debidamente ajustada (2,3).



Conexión del inyector a una línea roscada de 1"

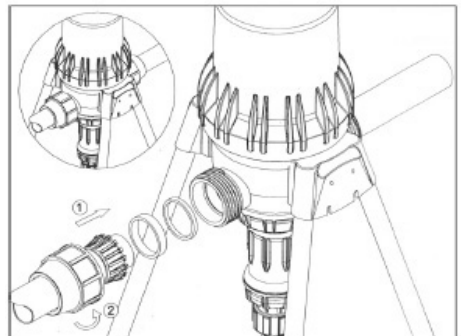
Tenga en cuenta la dirección del flujo de agua. Arme el inyector de forma tal que la flecha que está estampada en su cuerpo y la flecha roja en la etiqueta central apunten en la dirección del flujo de agua. Conecte el inyector usando los acoplamientos plásticos.

Conexión del inyector a una línea de polietileno de 32 mm

Tenga en cuenta la dirección del flujo de agua. Arme el inyector de forma tal que la flecha que está estampada en su cuerpo y la flecha roja en la etiqueta central apunten en la dirección del flujo de agua. Asegúrese de que los extremos de la tubería de entrada y salida estén cortados en forma recta y que el extremo tenga una forma de cono redondeado. La distancia entre el extremo de entrada y el de salida debe ser de 20 cm (7,87").

Retire la tuerca de 32 mm y el anillo blanco del inyector, y deslícelos por fuera de la tubería hasta llegar a una corta distancia de su extremo. Verifique que el accesorio sello 32 y que el sellado de sujeción 32 cierren la unidad desde afuera (1). Inserte la tubería en la abertura de entrada o de salida de acuerdo con la dirección indicada y empuje con fuerza de modo tal que la tubería penetre y el sello pase y se detenga al final de su recorrido.

Para facilitar la penetración de la tubería aplique un poco de grasa siliconada en el extremo del tubo antes de insertarla. Empuje el anillo blanco hasta que alcance la rosca (2). Coloque la tuerca y ajústela con firmeza. De la misma forma conecte el inyector a la otra tubería.

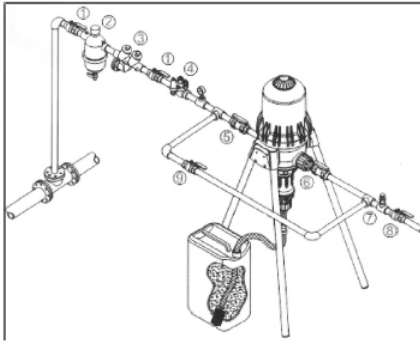




TEFEN Advanced Plastic Solutions.

Instalación del inyector en una línea de riego

Se recomienda conectar una **válvula principal** (1) al comienzo de la línea como así también una **válvula de prevención de reflujo** (3). En una línea de agua potable, de acuerdo a las normas locales es obligatorio instalar una válvula de prevención de reflujo para evitar el ingreso de productos químicos en el agua potable. Entonces tal como se muestra en el diagrama se debe instalar lo siguiente: un **reductor de presión** (4) para proteger al inyector de una presión excesiva, un **filtro** (2) de al menos 120 mesh (130 micrones), una válvula (6) antes de la entrada al inyector, una válvula de vacío (7) para evitar el sifonamiento cuando el inyector no está en funcionamiento, y válvulas para las líneas de alimentación. Es aconsejable agregar una tubería de derivación a través de la cual el agua pueda fluir hacia el riego sin fertilizante o cuando se necesite proceder al desarme del inyector.



Instalación del inyector en una línea de derivación

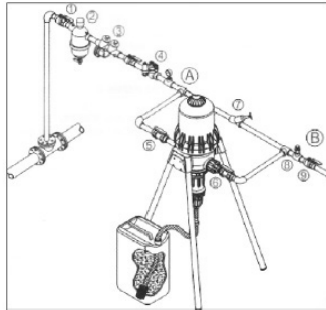
Resulta necesario instalar el inyector de dosificación proporcional en una línea de derivación cuando se riega con un caudal superior al máximo recomendado para el inyector. La derivación permite que sólo una parte del agua pase a través del inyector y lo active, mientras que el resto pasa a través de la línea principal. Usando la válvula de estrangulación (7) en la línea principal, el flujo de agua que pasa a través de la línea principal se regula de forma tal que el resto del flujo pase a través de la derivación y active al inyector.

La medición debe ser calculada en función del flujo de agua que pase a través de ambas líneas.



TEFEN Advanced Plastic Solutions.

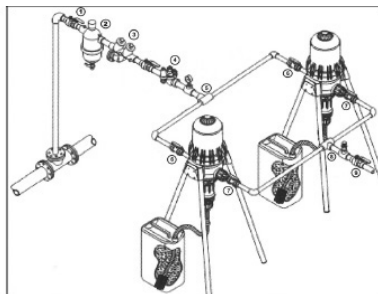
Resulta necesario conectar una válvula principal (1) al comienzo de la línea y luego de ella una **válvula de prevención de reflujo** (3), un **reductor de presión** (4), un filtro de agua (2) de al menos 120 mesh (130 micrones), una conexión T (A) para desvío desde la línea principal a la derivación, una válvula en la derivación antes de la entrada al inyector de dosificación proporcional, una válvula después de la salida desde el inyector (9) en la derivación y un conector T para el retorno a la línea principal (B). Se debe conectar una válvula de estrangulación, preferentemente una válvula angulada, a la línea principal. Se debe instalar una **válvula antivacio** (8) junto con las válvulas de los ramales luego de la conexión de retorno desde la derivación.



Instalación de dos inyectores en paralelo

Cuando el caudal de agua en la línea de riego es mayor que el caudal nominal máximo de los inyectores, el agua debe ser dividida entre dos unidades. Si los 2 inyectores son utilizados para bombear el mismo tipo de fertilizante, las escalas deben ser ajustadas de idéntica forma al mismo nivel de medición. Dos aditivos diferentes pueden ser medidos a diferentes niveles. La medición en cada unidad debe ser calculada para cada caudal que pase a través de los dos inyectores.

Resulta necesario instalar: una válvula principal (1) al comienzo de la línea y luego de ésta una válvula de prevención de reflujo (3), un reductor de presión (4), un filtro (2) con un grado de filtración de al menos 120 mesh (130 micrones), un empalme T (5) se conecta desde la línea principal a 2 líneas. A cada una de estas líneas se conecta una válvula reguladora (6), el inyector y la válvula de no retorno (7) inmediatamente luego del inyector y una conexión de regreso a la línea principal (8). Se debe tener precaución para asegurar que los dos ramales sean exactamente de la misma longitud.



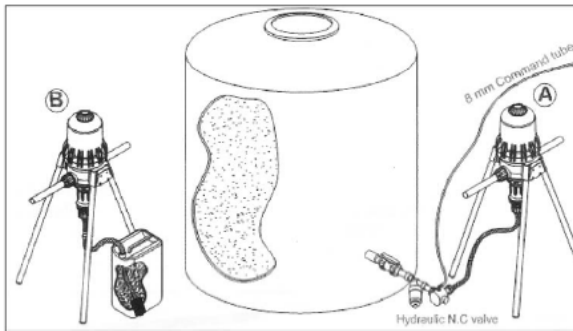


TEFEN Advanced Plastic Solutions.

Conexión a un tanque de fertilizante

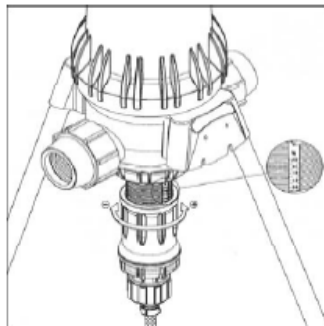
Conecte el tubo de succión al tanque de fertilizante (preferiblemente a unos 5 cm (2") por encima del fondo). El líquido fertilizante debe ser pasado a través del filtro de al menos 120 mesh (130 micrones). Si el fertilizante se toma de un tanque abierto, se debe colocar un peso pesado al final del tubo de succión de forma tal que se pueda mantener la abertura del tubo de succión siempre adentro del líquido aditivo y evitar que el tubo flote y caiga fuera del tanque. Asegúrese de que el nivel del fertilizante esté siempre por debajo del inyector. De lo contrario puede haber un flujo descontrolado del fertilizante.

Cuando se conecte a un tanque de fertilizante grande use una válvula que no esté afectada por el fertilizante y una válvula N.C. para evitar el efecto sifón. La válvula se abrirá solamente cuando haya presión de agua en la línea de riego.



Ajuste de la medición

En el cilindro de medición hay una escala que indica el porcentaje de aditivos. Cuando la válvula de entrada está cerrada y no hay presión de agua en el inyector, gire la tuerca de ajuste de control y coloque su borde superior en el porcentaje requerido. Girando en el sentido contrario al de las agujas del reloj aumenta la cantidad de fertilizante medido. Girando en el sentido de las agujas del reloj la cantidad de fertilizante se reduce. Se debe verificar la tasa de medición del fertilizante para su correcto funcionamiento. Si es necesario, ajuste aumentando o reduciendo la tuerca de ajuste de control.

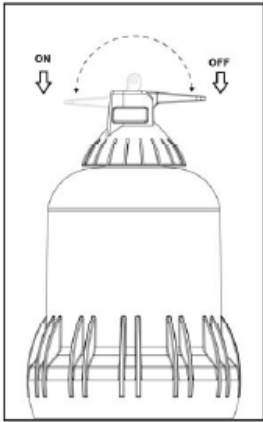




TEFEN Advanced Plastic Solutions.

Control Manual On/Off

En modelos con control manual On/Off se puede controlar la succión mientras el agua fluye a través del inyector. Para inyectar aditivos, coloque la manija en la posición "On" ("On" cara arriba), y para detener la inyección coloque la manija en la posición "Off" ("Off" cara arriba).



Control hidráulico On/Off

En modelos con control hidráulico se puede controlar la succión mientras el agua continúa fluyendo a través del inyector, usando una conexión a los tubos de control que están controlados por la computadora de riego por medio de válvulas eléctricas.





TEFEN Advanced Plastic Solutions.

Mantenimiento de rutina

En forma periódica limpie el filtro de agua a la entrada del inyector y el filtro de succión de fertilizante.

Si se planifica no operar el inyector durante un largo período de tiempo, haga funcionar al inyector durante unos minutos con el tubo de medición sumergido en un tanque con agua limpia para eliminar residuos de fertilizante del inyector para evitar que se puedan solidificar adentro del inyector.

Si existe un riesgo de congelamiento y la temperatura cae por debajo de los 4°C (39°F) drene el agua del inyector. Para hacer esto, cierre las válvulas de entrada y salida en forma firme. Abra y desarme el record "□" que conecta la tubería de succión. Presione la válvula de chequeo de succión usando un dedo o una varilla delgada, permitiendo que el agua que haya acumulada en el inyector drene hacia fuera mientras presiona la válvula liberadora de aire en la parte superior del inyector.



TEFEN Advanced Plastic Solutions.

Guía para la Solución de Problemas

Problema	Verificar	Solución
El inyector no funciona	El inyector está conectado con las flechas en la dirección opuesta a la de circulación de agua	Coloque el inyector con las flechas en la dirección del flujo de agua
	Las válvulas de entrada y salida están cerradas	Abra las válvulas
	La entrada del filtro está bloqueada	Limpie el filtro
	No hay flujo de agua a la presión adecuada	Abra la válvula principal
El inyector dejó de funcionar	No hay caudal de agua a la presión adecuada. Abra la válvula principal. Abra la tuerca que traba la cubierta del motor, retire la cubierta del motor, y retire el mecanismo. Verifique que los sellos del motor no estén defectuosos	Reemplace los sellos del motor
	Verifique si los resortes están rotos	Reemplace los resortes
	Verifique si los sellos por encima de las válvulas están defectuosos o si han sido desplazados	Reemplace los sellos
	Verifique si una de las partes del mecanismo está rota	Reemplace la parte rota
Hay una pérdida en el inyector	La pérdida proviene de la conexión entre el cuerpo y la cubierta	Abra y retire la cubierta del motor, reemplace el sello, coloque la cubierta, y ajuste con firmeza la tuerca de cierre de la cubierta
	La pérdida proviene de la conexión del tubo de succión	Retire el tubo de succión, reemplace el sello defectuoso y reconecte
	La pérdida proviene de la válvula de no retorno	Desarme la válvula de no retorno y reemplace el sello defectuoso
No hay succión	El filtro de succión está bloqueado	Limpie el filtro
	Desarme la unidad inyectora y verifique si el sello de succión está defectuoso	Reemplace el sello de succión
	La válvula de no retorno está defectuosa	Reemplace la válvula de no retorno



TEFEN Advanced Plastic Solutions.

Para asesoramiento, soporte técnico y compra de repuestos, contacte al representante de ventas autorizado en su área

GARANTIA LIMITADA

Tefen Manufacture & Marketing Plastic Products 1990 Ltd. reemplazará todas aquellas partes que muestren defectos en el material o que presenten defectos debido a mano de obra durante un período de doce meses desde la fecha de compra por parte del comprador original.

Para obtener garantía de reemplazo de una parte, el MixRite debe ser devuelto con la prueba original de compra, es decir el recibo original, al fabricante o al distribuidor autorizado y posteriormente ser reconocida como parte defectuosa por medio de un examen realizado por los servicios técnicos del fabricante o del distribuidor.

El MixRite debe entregarse limpio de cualquier producto químico y enviado al fabricante o distribuidor en forma prepaga (con el pago del envío realizado por el cliente), y será devuelto sin cargo una vez que se haya realizado la reparación si es que se ha considerado que la garantía lo cubre.

Cualquier reparación bajo garantía no extenderá el período inicial de garantía.

La garantía cubre solamente las circunstancias en donde la parte ha fallado debido a defectos causados por el proceso de fabricación. Esta garantía no es válida si los defectos se originaron debido a un mal uso del producto, uso con herramientas inadecuadas, falta de mantenimiento o instalación defectuosa, accidentes ambientales o corrosión debido a cuerpos extraños y líquidos que se encuentren dentro o en las proximidades del MixRite.

Los sellos y O rings no están cubiertos por esta garantía y tampoco aquellos daños que hayan sido causados al MixRite por impurezas del agua tales como la arena. Se debe utilizar un filtro de 200 mesh antes de la unidad para que la garantía sea válida.

Tefen Manufacture & Marketing Plastic Products 1990 Ltd. declina cualquier responsabilidad si el MixRite no es utilizado de acuerdo a las instrucciones operativas y tolerancia indicadas en el manual del usuario.

La garantía otorga derechos legales específicos y otros derechos que varían de estado en estado. Pero toda garantía o comerciabilidad para un propósito particular aplicable a este producto está limitado en el tiempo al período de garantía escrita.

No existe garantía expresa o implícita relacionada con productos utilizados en forma conjunta con Tefen Manufacture & Marketing Plastic Products 1990 Ltd.

El fabricante o distribuidor autorizado no será obligado a responder por daño incidental, o por cualquier pérdida de tipo económico, que resulte de incumplimiento de esta garantía escrita o cualquier garantía implícita.

No hay otras garantías, expresas o implícitas, más allá de lo que está descrito en los párrafos anteriores.

