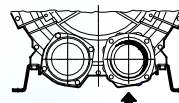
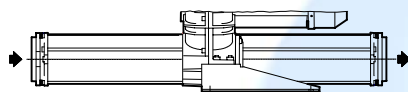
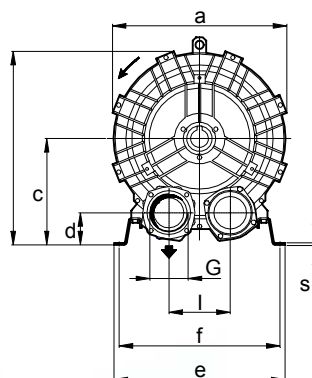
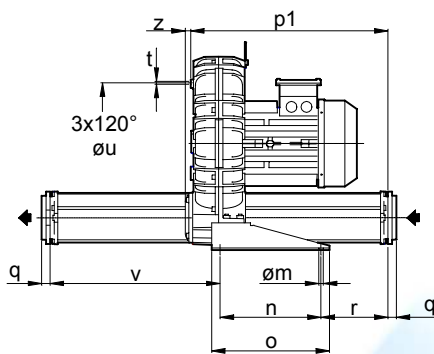
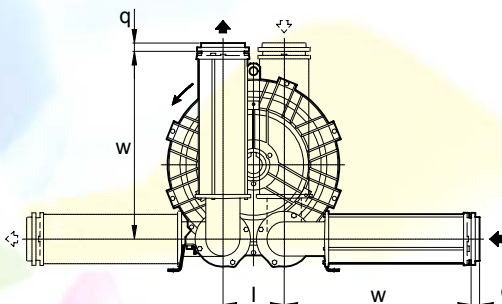
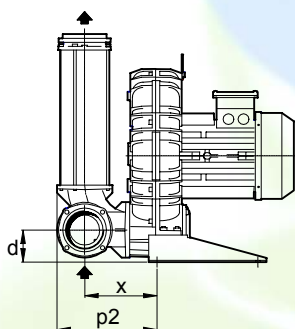




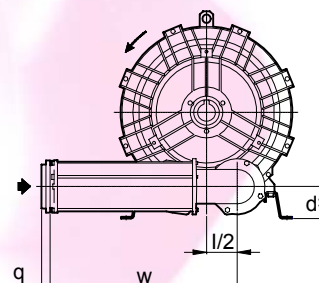
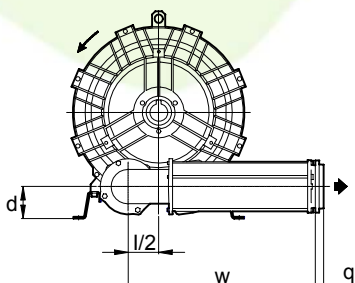
In-line silencer configuration



Configuration with 90° manifolds (Accessory)



Configuration with 90° manifold and reduced dimensions (Accessory)



DIMENSIONS IN mm.  
 DIMENSIONS FOR REFERENCE ONLY.

Model	a	b	c	d	e	f	G	l	m	n	o
K07-MS	424	481	269	82	468	438	G 3"	155	13	300	350
K75-MS	424	481	269	82	468	438	G 3"	155	13	300	350
K08-MS	457	498	269	82	478	448	G 3"	155	13	300	350
K09-MS	492	561	315	96	508	478	G 4"	182	13	300	350
K10-MS	516	573	315	96	508	478	G 4"	182	13	300	350
K11-MS	542	603	332	91	538	508	G 4"	200	13	300	350

Model	p1	p2	q	r	s	t	u	v	w	x	z
K07-MS	512	255	25	137	5	M8	295	443	481	183	16
K75-MS	512	255	25	137	5	M8	295	443	481	183	16
K08-MS	512	255	25	137	5	M8	310	443	481	183	16
K09-MS	586	300	25	199	5	M8	360	505	556	215	16
K10-MS	586	300	25	199	5	M8	360	505	556	215	16
K11-MS	596	305	25	204	5	M8	390	510	556	220	16