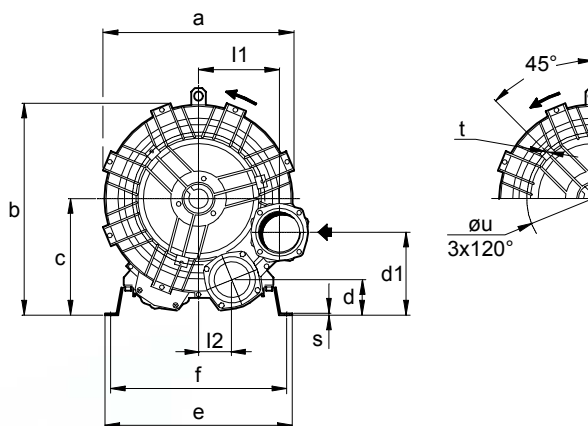
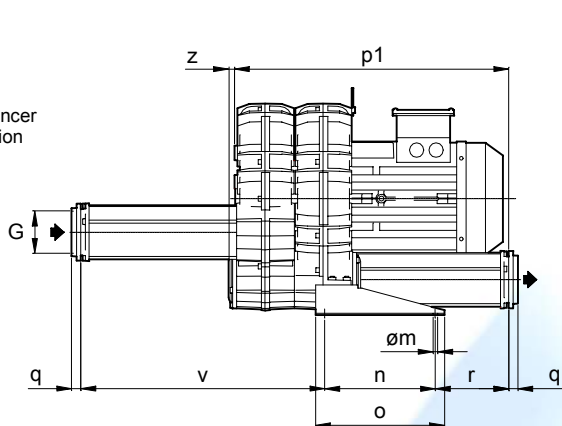
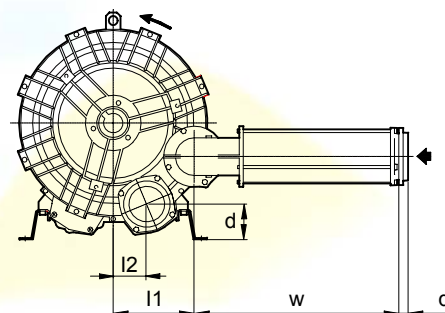
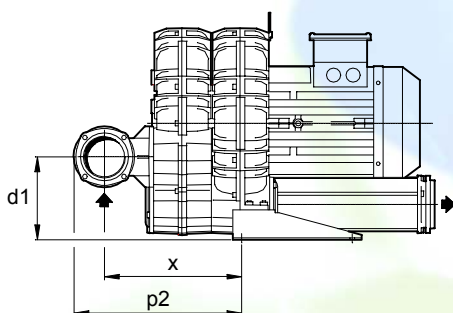




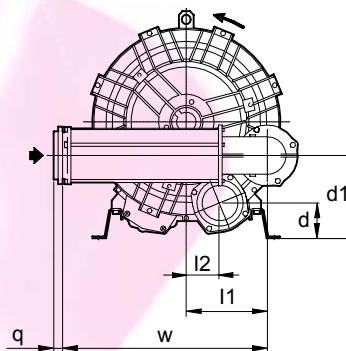
In-line silencer configuration



Configuration with 90° manifold



Configuration with 90° manifold and reduced dimensions



DIMENSIONS IN mm.
 DIMENSIONS FOR REFERENCE ONLY.

Model	a	b	C	d	d1	e	f	G	l1	l2	m	n
K07-TD	424	481	269	82	192	468	438	G 3"	187	77.5	13	300
K08-TD	457	498	269	82	192	478	448	G 3"	187	77.5	13	300
K09-TD	492	561	315	96	225	508	478	G 4"	220	91	13	300
K10-TD	516	573	315	96	225	508	478	G 4"	220	91	13	300
K11-TD	542	602	332	90	232	538	508	G 4"	242	100	13	300

Model	o	p1	p2	q	r	s	t	u	v	w	x	z
K07-TD	350	649	392	25	137	5	M8	295	581	481	319	16
K08-TD	350	649	392	25	137	5	M8	310	581	481	319	16
K09-TD	350	745	455	25	199	5	M8	360	663	556	372	16
K10-TD	350	745	455	25	199	5	M8	360	663	556	372	16
K11-TD	350	765	470	25	204	5	M8	390	678	556	387	16