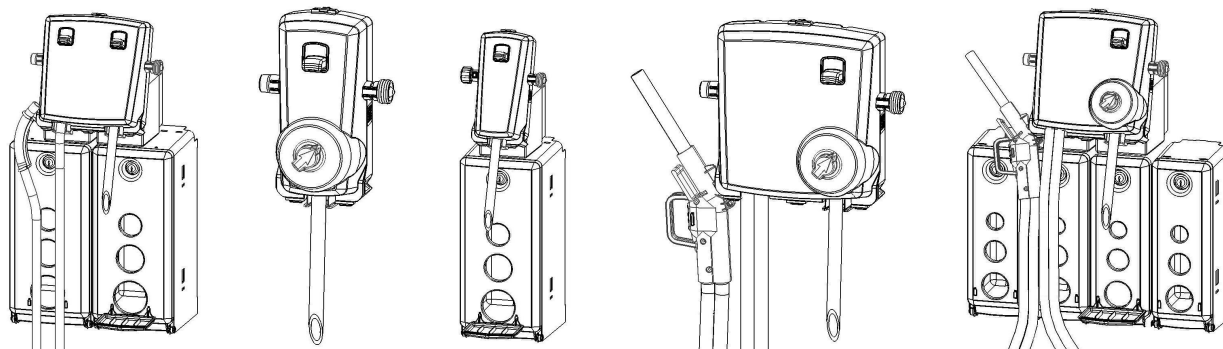


DEMA DILUTION-AT-HAND *EXTREME*

800 Series Chemical Dispensers



Overview

The DILUTION-AT-HAND *EXTREME* chemical dispenser series combines the proven technology of the DEMA DILUTION-AT-HAND with a new look and modular chemical enclosures.

The dispenser series accurately dilutes chemical concentrates with water and dispenses the diluted mixture at either a high flow rate to fill buckets and scrubbers or a low flow rate to fill bottles and small containers.

Each dispenser can be set up to meet specific application needs with the ability to offer:

- High and low flow dispensing
- 2 Liter or 1 Gallon (5 Liter) chemical cabinets
- Selector valve option to dispense more than one chemical per dispensing unit
- Bottle filling or bucket filling
- Option of a remote gun for bucket or scrubber filling
- Dilution ratios up to 3:1 for low flow dispensing and up to 7:1 for high flow dispensing
- Supplied metering tips allow for leaner ratios of dilution

Warnings






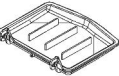



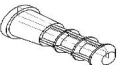


All installations must conform to local plumbing codes and use approved backflow prevention devices. A pressure indicating tee is to be installed with existing faucets according to local plumbing codes in the state of Wisconsin and any other state that requires the use of a pressure indicating tee.



ALWAYS WEAR PROTECTIVE CLOTHING AND EYEWEAR WHEN WORKING WITH CHEMICAL PRODUCTS.

Packing List

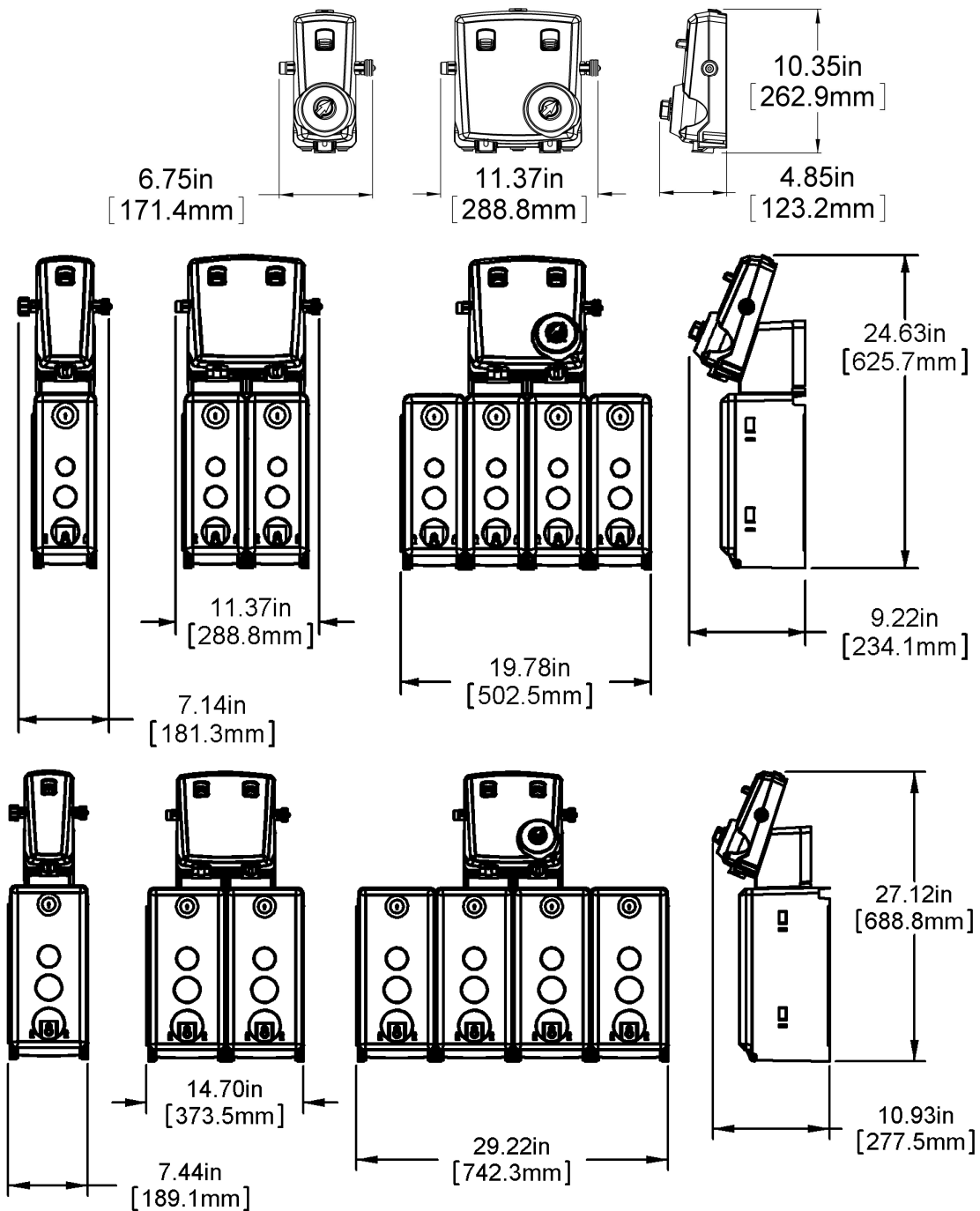
Part Number	Description	801GAP	801GAP-S2L	803GAP	803GAP-Q2L	802GAPRF	804GAPRF	820GAP	830GAP	822GAPRF	830GAPRF	830GAP-Q2L	820GAP-D2L	822GAP-S2L		
L1107	CHEMICAL LABELS	1	1	1	1	1	1	1	1	1	1	1	1	1		
100-15K	METERING TIP KIT	1	1	1	1	1	1	1	1	1	1	1	1	1		
61-107-2	SMALL CERAMIC WEIGHT	1	1	4	4	1	4	2	5	2	5	5	2	2		
98-42-2	TUBE	1	1	1	1			2	1	1	1	1	2	1		
100-16E-1	TUBING & FOOT VALVE 1/4" X 8'	1		4		1	4	2	5	2	5					
100-16E-3	TUBING & FOOT VALVE 1/4" X 32"		1		4							5	2	2		
66-21K	KEY SET		1		1								1	1	1	
89-10-1	DRIP TRAY		1		1								1	2	1	
16-4-3	OUTLET TUBING HANGER								1						1	
98-46-3	OUTLET TUBE 1/2" X 6'								1						1	
66-53-4	MOUNTING SCREW	2	2	2	8	2	2	4	4	4	4	8	4	2		
66-52	WALL ANCHOR	2	2	2	8	2	2	4	4	4	4	8	4	2		

Operational Requirements

Water Supply Requirements

	Minimum	Maximum
Water Pressure	20 psi (1.38 bar)	125 psi (8.62 bar)
Water Temperature	-	150°F (65.5°C)


Overall Size



Installation

Mounting

Dispenser Only

1. Remove selector knobs (if installed) by pulling on the knobs.
2. Remove the dispenser cover by depressing the tab on the top of the cover.
3. Position the dispenser on the wall and mark the screw locations.
4.  Chemical containers can be no greater than 6' (1.83 meters) below the dispenser.
5. Install the supplied anchors in the wall.
6. Mount the dispenser to the wall with the supplied screws.
7. Replace the cover and any selector knob.

Dispenser with Chemical Cabinets

1. Open the door(s) of the chemical cabinet(s) using the supplied key.
2. Position the dispenser on the wall and mark the screw locations.
3. Install the supplied anchors in the wall. Use two anchors and two screws for each chemical cabinet.
4. Mount the dispenser to the wall with the supplied screws.

Metering Tips & Chemical Supply Tubes

1. Each dispenser is supplied with at least one metering tip kit. Chose the appropriate color metering tip based on the supplied chemical induction chart.
2. Remove any selector knobs (if installed) by pulling on the knobs.
3. Remove the dispenser head by depressing the tab on the top of the cover.
4. Screw the metering tip into the chemical barb on the dispenser head.
5. Cut to length the chemical supply tube to remove excess tubing.
6. Install a supplied ceramic weight onto the tube.
7. Push the tubing onto the proportioner barb.
8. Replace the cover and any selector knobs
9. Place the ceramic weight, tubing, and foot valve into the chemical.

Water Supply

1. Water supply must have a pressure between 20 psi (1.38 bar) and 125 psi (8.62 bar).
2. Attach a garden hose to the water inlet of the unit.

Table 1: “Action Gap”/Proportioner Induction Flow Rates w/Standard 1/4" Barb and Tubing

Metering Tip Color	(1 GPM Flow Rate Action Gap Proportioner)						(4 GPM Flow Rate Action Gap Proportioner)					
	Injection Rates For Viscosities Shown						Injection Rates For Viscosities Shown					
	1 cps		75 cps		200 cps		1 cps		75 cps		200 cps	
	Oz/Gal	Ratio	Oz/Gal	Ratio	Oz/Gal	Ratio	Oz/Gal	Ratio	Oz/Gal	Ratio	Oz/Gal	Ratio
Tan	1.03	125-1	0.76	168-1	0.38	333-1	0.33	387-1	0.26	500-1	0.12	1090-1
Orange	1.24	103-1	0.98	130-1	0.53	241-1	0.42	307-1	0.32	430-1	0.17	735-1
Turquoise	1.43	89-1	1.07	119-1	0.61	211-1	0.51	251-1	0.34	382-1	0.19	676-1
Pink	2.47	52-1	1.58	81-1	0.92	139-1	0.78	165-1	0.56	230-1	0.3	422-1
Light Blue*	3.05	42-1	2.1	61-1	1.06	121-1	0.87	147-1	0.67	192-1	0.33	391-1
Brown	3.48	37-1	2.31	55-1	1.15	111-1	0.99	129-1	0.74	174-1	0.37	345-1
Red	4.38	29-1	2.83	45-1	1.23	104-1	1.37	93-1	0.91	141-1	0.44	289-1
White	5.33	24-1	3.1	42-1	1.37	93-1	1.52	84-1	1.04	123-1	0.48	264-1
Green	6.38	20-1	3.63	35-1	1.4	91-1	1.72	74-1	1.22	105-1	0.52	244-1
Blue	6.77	19-1	3.78	34-1	1.45	88-1	2.13	60-1	1.27	101-1	0.54	239-1
Yellow	9.90	13-1	5.1	25-1	1.48	86-1	3.05	42-1	1.71	75-1	0.56	229-1
Black	15.00	9-1	6.54	20-1	1.53	84-1	4.50	28-1	1.96	65-1	0.57	224-1
Purple	24.94	5-1	7.28	18-1	1.57	82-1	7.75	17-1	2.4	53-1	0.59	217-1
Gray	35.94	4-1	8.5	15-1	1.64	78-1	9.86	13-1	2.54	50-1	0.63	204-1
No Tip	73.21	2-1	9.35	14-1	1.87	69-1	19.63	7-1	3.16	40-1	0.67	190-1

Table 2: “Air Gap” Proportioner Induction Flow Rates w/Standard 1/4" Barb and Tubing

Metering Tip Color	164 BAG (1 GPM Flow Rate Air Gap Proportioner) Injection Rates For Viscosities Shown						163 BAG (4 GPM Flow Rate Air Gap Proportioner) Injection Rates For Viscosities Shown					
	1 cps		75 cps		200 cps		1 cps		75 cps		200 cps	
	Oz/Gal	Ratio	Oz/Gal	Ratio	Oz/Gal	Ratio	Oz/Gal	Ratio	Oz/Gal	Ratio	Oz/Gal	Ratio
Tan	1.25	102-1	0.90	142-1	0.60	213-1	0.30	427-1	0.20	640-1	0.15	853-1
Orange	1.70	75-1	1.20	107-1	0.80	160-1	0.40	320-1	0.30	427-1	0.25	512-1
Turquoise	2.15	60-1	1.55	83-1	1.10	116-1	0.60	213-1	0.40	320-1	0.30	427-1
Pink	3.00	43-1	2.00	64-1	1.50	85-1	0.80	160-1	0.50	256-1	0.40	320-1
Light Blue*	3.90	33-1	2.75	47-1	1.80	71-1	1.00	128-1	0.70	183-1	0.45	284-1
Brown	4.55	28-1	3.00	43-1	2.00	64-1	1.20	107-1	0.80	160-1	0.50	256-1
Red	5.80	22-1	3.60	36-1	2.30	56-1	1.50	85-1	0.90	142-1	0.60	213-1
White	7.00	18-1	4.45	29-1	2.70	47-1	1.85	69-1	1.10	116-1	0.70	183-1
Green	7.90	16-1	5.00	26-1	3.00	43-1	2.00	64-1	1.25	102-1	0.80	160-1
Blue	9.80	13-1	5.75	22-1	3.30	39-1	2.50	51-1	1.50	85-1	0.82	156-1
Yellow	14.80	9-1	7.35	17-1	3.55	36-1	4.00	32-1	1.85	69-1	0.90	142-1
Black	20.15	6-1	8.50	15-1	3.70	35-1	5.50	23-1	2.00	64-1	0.94	136-1
Purple	27.80	5-1	9.80	13-1	3.80	34-1	8.80	15-1	2.40	53-1	0.96	133-1
Gray	31.60	4-1	10.50	12-1	3.90	33-1	11.65	11-1	2.50	51-1	1.00	128-1
No Tip	35.70	3.6-1	11.80	11-1	4.50	28-1	16.20	8-1	3.00	43-1	1.20	107-1

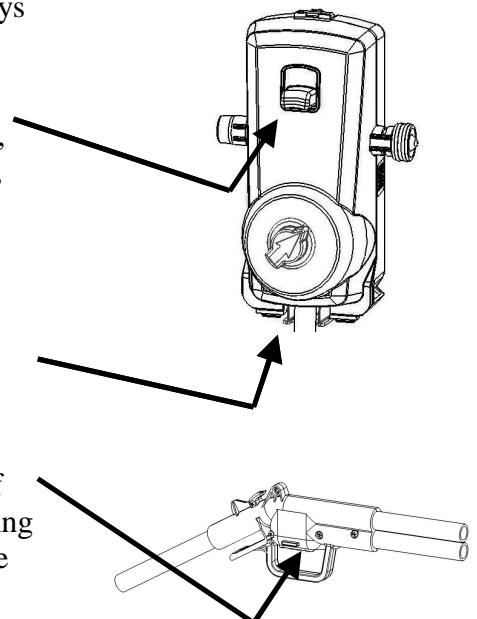
Note: All induction flow rates are based on a water pressure of 40 psi.
 Leaner dilutions can be achieved by ordering DEMA ultra lean metering tip kit 100-15KU.
 *Metering tip color was formerly clear.

Service Note: Standard size 1/4" hose barbs and metering tips that come with this model are used for water thin (1cps) products. Ratios as low as parts-per-million, can be achieved with the use of a capillary metering tip. More viscous products (75cps – 200cps) may require larger 3/8" hose barbs and metering tips. If you are having difficulty achieving the ratio you require, call DEMA and ask for the technical department.

Operation

Dispensing of diluted chemical can be performed in a number of ways depending on the dispenser.

- Lever / Button Activation – The unit can be operated by pushing up on the lever. This lever can be locked in an “On” position by depressing the lever inward. To unlock the “On” position, either depress the lever or push up on the bottle fill lever.
- Bottle Fill Activation – Slide a bottle up to the bottom of the unit and push on the shown lever.
- Remote Fill Activation - Depress the trigger on the handle of the remote gun. The remote gun can be locked “On” by sliding the red lever to one side. To disengage this lever, depress the trigger.



Troubleshooting

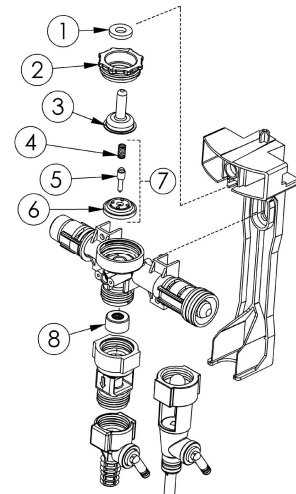
(Some models may not include all items listed below)

Symptom	Probable Cause	Remedy
Proportioner fails to draw chemical properly.	<ol style="list-style-type: none"> 1. Insufficient water supply pressure. 2. Foot valve has dirt/chemical build-up. 3. Proportioner metering tip clogged with dried chemical. 4. Mineral deposits are located on Air Gap nozzle. 5. Bucket fill (4 GPM) side appears to have slow flowing water stream. 	<ol style="list-style-type: none"> 1. 20 PSI is the minimum allowable pressure. Seek Plumber if necessary to increase water pressure. 2. Soak in hot water to clean. 3. Soak in hot water to clean interior passages. 4. Soak nozzle and inlet screen in hot water or product such as CLR to clean mineral deposits. 5. Flow disc assembly must be removed from lower section of water valve assembly if installed.
“Air Gap” Proportioner is dripping or spraying a mist (fan pattern) of water.	<ol style="list-style-type: none"> 1. Mineral deposits are located on Air Gap nozzle. 	<ol style="list-style-type: none"> 1. Soak nozzle and inlet screen in hot water or off the shelf product such as CLR to clean and remove mineral deposits.
Water valve is not shutting off completely.	<ol style="list-style-type: none"> 1. “Sliding lever” return spring may be missing. 2. “Sliding lever” is not returning all the way down due to interference between the sliding lever and either the chemical supply and/or outlet tubing. 3. Bucket fill outlet hose is catching the bottom edge of the sliding lever during normal usage. 	<ol style="list-style-type: none"> 1. Remove cover and visually check for sliding lever return spring. Replace if missing. 2. Remove cover and visually check for any tubes rubbing the sliding lever. Routing of chemical supply and outlet tubing must not restrict the movement of the sliding lever. Reroute tubing. 3. Don’t pull the bucket fill outlet hose too tight from either side otherwise sliding lever may not return properly.
Water valve is leaking.	<ol style="list-style-type: none"> 1. Enclosing tube nut is too loose. 2. One or more of the valve o-ring connections are out-of-position. Identify each leak before disassembly. 	<ol style="list-style-type: none"> 1. Shut water supply off first. Hand-tighten the enclosing Hose nut. Do not overtighten w/tool. 2. “O-ring” seals may be pushed out of place or missing when sub-assembling valve together.
Threaded connections are leaking water.	<ol style="list-style-type: none"> 1. The connection between the blend center and water supply line is too loose or rubber washer is missing. 2. Backflow prevention devices and/or proportioners are too loose. 	<ol style="list-style-type: none"> 1. Shut water supply off first. Carefully tighten the female hose coupling on the blend center to the inlet water supply line. Do not overtighten. 2. Tighten loose connection(s) with tools if necessary. Do not overtighten if using tools.
Proportioner continues to draw chemical after water valve is closed.	<ol style="list-style-type: none"> 1. Concentrated chemical is positioned higher than the proportioner. 	<ol style="list-style-type: none"> 1. Move the concentrated chemical so it is lower than the proportioner.

Parts List (See pages 6-8)

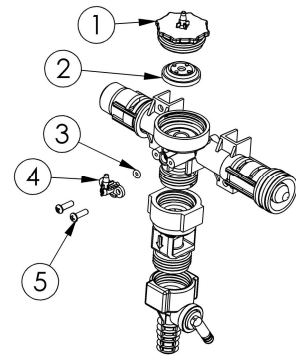
BOTTLE/HOSE FILL APPLICATIONS

NO.	PART NO.	DESCRIPTION
1	63-35	Magnet
2	98-7-2	Enclosing Tube Nut
3	41-7-25	Enclosing Tube
4	98-41-1	Spring
5	98-24-1	Plunger
6	41-15-10	Diaphragm With Center Hole EPDM
7	98-25-1	Bottle/Hose Repair Kit
8	89-20-1	Flow Disc Assembly (1 GPM only)



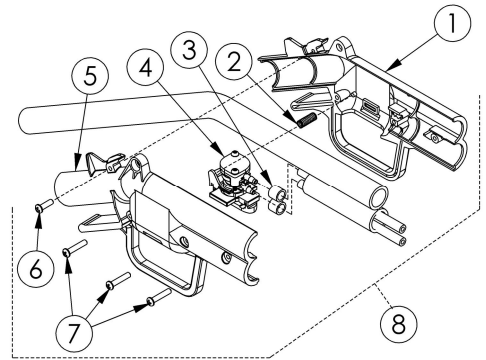
REMOTE FILL APPLICATION

NO.	PART NO.	DESCRIPTION
1	98-5-2	Nut, Diaphragm
2	98-26-1	Diaphragm Without Center Hole EPDM
3	26-35	O-ring (EPDM)
4	98-15-1	Elbow
5	58-60	#6 Hi Lo Screw 1/2" Lg. (2 Required)



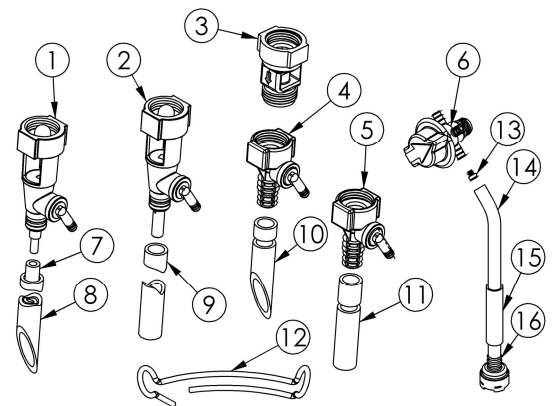
REMOTE FILL APPLICATION

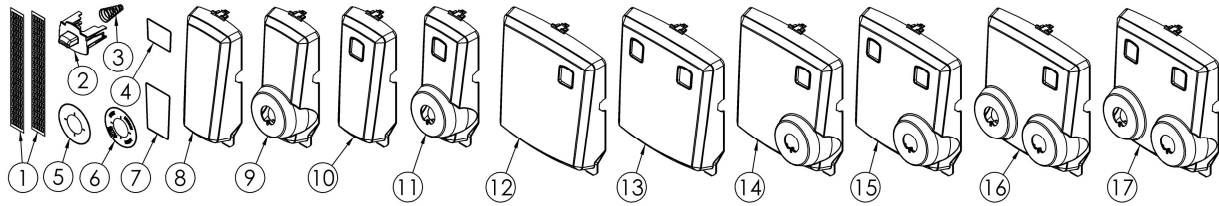
NO.	PART NO.	DESCRIPTION
1	98-30-1	Remote Gun Fill Half (R.H.)
2	98-51	Trigger Lock Return Spring
3	98-37-1	Hose Clamp (2 Required)
4	98-38	Valve Assembly
5	98-31-1	Remote Gun Fill Half (L.H.)
6	58-60	#6 Hi Lo Screw 1/2" Lg.
7	58-102	#6 Hi Lo Screw 3/4" Lg. (3 Required)
8	98-50	Remote Fill Assembly



BACK FLOW & PROPORTIONING DEVICES

NO.	PART NO.	DESCRIPTION
1	61-32BAG-2	Proportioner Assembly (1 GPM)
2	61-22-3BAG-EL2	Proportioner Assembly (4 GPM)
3	16-30	Action Gap Assembly
4	61-99-2	Proportioner Assembly (1 GPM)
5	61-22-3	Proportioner Assembly (4 GPM)
6	63-96-2V-CK	Selector and Knob Assembly (Viton)
7	63-82	Tube, 3/16" I.D. Outlet
8	98-43-1	Tube, 9/16" I.D. Outlet
9	98-47-1	Tube, 9/16" I.D. Outlet (6 Foot Long)
10	98-42-2	Tube, 1/2" I.D. Outlet
11	98-46-3	Tube, 1/2" I.D. Outlet (6 Foot Long)
12	16-4-3	Outlet Bucket Fill Hose Hanger
13	100-15K	Metering Tip Kit (14 Sizes)
14	100-12 /100-12E	Hose, 7/32" I.D. x 8' Lg./7/32" I.D. x 50' Lg.
15	61-107-2	Ceramic Weight, 3/8" I.D.
16	100-16E	Foot Valve Assembly (EPDM)



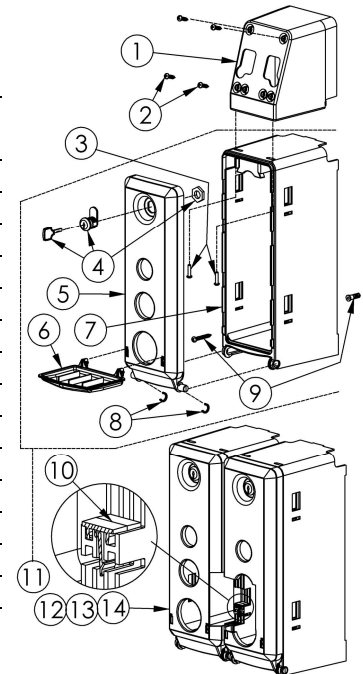


LABELS, LIFT BUTTON AND COVERS

NO.	PART NO.	DESCRIPTION	NO.	PART NO.	DESCRIPTION
1	L1107	Chemical Label	10	89-2-3	Cover, Single (Lift Button)
2	89-5-1	Lift Button	11	89-2-4	Cover, Single (Lift Button & Selector)
3	63-36	Lift Button Return Spring	12	89-4-1	Cover, Dual (RH Lift Button)
4	L1074	DEMA Label, Small	13	89-4-2	Cover, Dual (LH & RH Lift Buttons)
5	L1075	Selector label, Blank	14	89-4-3	Cover, Dual (RH Lift Button & RH Selector)
6	L1108	Selector label, 4-Dilution	15	89-4-4	Cover, Dual (Both Lift Buttons & RH Selectors)
7	L1073	DEMA Label, Large	16	89-4-5	Cover, Dual (RH Lift Buttons & Both Selectors)
8	89-2-1	Cover, Single (Plain)	17	89-4-6	Cover, Dual (Both Lift Buttons & Both Selectors)
9	89-2-2	Cover, Single (Selector)			

2 LITER AND 1 GALLON (5 LITER) STORAGE BOX ASSEMBLIES

NO.	2 LITER PART NO.	1GALLON PART NO.	DESCRIPTION
1	89-11-1	89-11-1	Mounting Support (1for Single & 2 for Dual Unit)
2	44-116-5	44-116-5	#8 Hi-Lo Screws (4 Per Dispenser Unit)
3	44-116-1	44-116-5	#8 Hi-Lo Screws (2 per Mounting Support)
4	81-69	81-69	Cabinet Lock with Key / Key Only (66-21K)
5	89-8-1	89-9-1	Storage Box Door
6	89-10-1	89-10-1	Drip Tray
7	89-6-1	89-7-1	Storage Box Base
8	89-19-1	89-19-1	Door Retaining Clip (2 per Box Assy.)
9	98-40-1	98-40-1	#10 Screw & Anchor Set (Qty. 2 /Set)
10	89-12-1	89-12-1	Box Retaining Clip (2 for 2 Boxes +2 per Box)
11	89-16-1	89-17-1	Single Box Assy. Kit (1 Drip Tray & Mtg. Hardware)
12	89-16-2	89-17-2	Dual Box Assy. Kit (1 Drip Tray & Mtg. Hardware)
13	89-16-3	89-17-3	Triple Box Assy. Kit (1 Drip Tray & Mtg. Hardware)
14	89-16-4	89-17-4	Quad Box Assy. Kit (1 Drip Tray & Mtg. Hardware)



Warranty

Merchandise Returns

No Merchandise will be Returned for Credit Without DEMA'S Written Permission. Returned Merchandise Authorization Number is Required in Advance of Return.

Product Warranty

DEMA products are warranted against defective material and workmanship under normal use and service for one year from the date of manufacture. This limited warranty does not apply to any products that have a normal life shorter than one year or failure and damage caused by chemicals, corrosion, physical abuse, or misapplication. Rubber and synthetic rubber parts such as "o"-rings, diaphragms, PVC tubing, and gaskets are considered expendable and are not covered under warranty. This warranty is extended only to the original buyer of DEMA products. If products are altered or repaired without prior approval of DEMA, this warranty is void.

Defective units or parts should be returned to the factory with transportation prepaid. If inspection shows them to be defective, they will be repaired or replaced without charge, F.O.B. factory. DEMA assumes no liability for damages. Return merchandise authorization number must be granted in advance of returned units for repair or replacement (See "Merchandise Returns" above).